

Power Close, Spring Return

Braeburn Motorized Round Zone Dampers are used to control the volume of air that will be distributed to a zone area. With easy two wire installation and a stall and backlash protected motor, our zone dampers provide the quality and durability you have come to expect from Braeburn.

Quick and Easy Installation

Braeburn power close spring return dampers were designed and built to ensure easy installation and years of trouble free use. Each damper is formed from laser cut, heavy duty galvanized steel and computer welded at all critical seams. Easy two wire installation with LED indicator for closed position help round out the features of this high quality damper.

Specifications

Dimensions	See dimensional drawing on reverse
Power	24 VAC 10 VA
Actuator	Clock Drive with Backlash Protection, Power Close, Spring Return
Indicators	Red LED Indicates Power Close
Terminals	Two Terminals, Push Button Type

Braeburn Round Zone Dampers



Product Features and Benefits

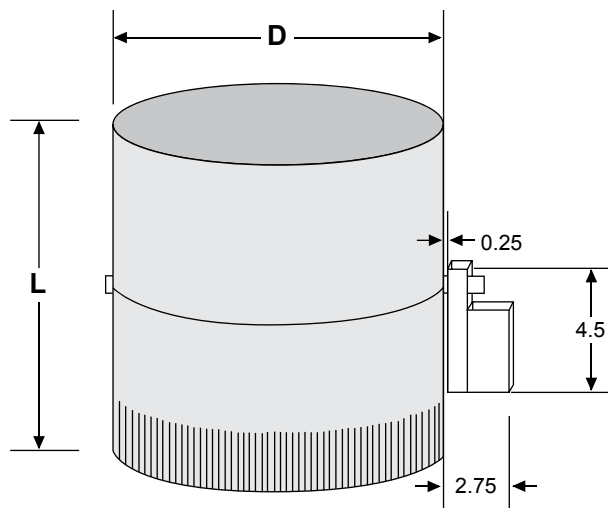
- Power Close Spring Return with Power Fail Open Operation
- Long life Full Stall Capable Motor Provides Years of Trouble Free Operation
- Virtually Silent Clock Drive Motor
- Heavy Duty Galvanized Construction with Precision Rolled Stiffening Ribs
- Red LED on Power Close for Easy System Diagnosis

The
brighter
choice®

Braeburn Round Zone Dampers Power Close, Spring Return

Architectural Specifications

The Round Power Close / Spring Return Damper shall be Braeburn Series 1190XX where XX indicates damper diameter (06, 08, 10, 12, 14, 16, and 18 inches). The damper shall be powered directly from zone panel 24 VAC damper terminals. A common terminal along with a power close terminal shall be provided for damper control. In the event of a power failure, no readjustment shall be required. The PC/SR Damper shall have an inlet end and a crimped fitment on the outlet end to accept mating ductwork of the same diameter. The damper shall be constructed of rolled and welded steel with precision nylon bushing and stiffening ribs to increase damper rigidity. A damper position indicator shall be included to display the current damper positioning. The drive motor shall self open upon the removal of power from the damper.



PCSR Selection

Size	Description	Item No.
6"	Round Damper, PC/SR	119006
8"	Round Damper, PC/SR	119008
10"	Round Damper, PC/SR	119010
12"	Round Damper, PC/SR	119012
14"	Round Damper, PC/SR	119014
16"	Round Damper, PC/SR	119016
18"	Round Damper, PC/SR	119018

Damper Size Chart

Item No.	D inches	L inches
119006	6	12
119008	8	12
119010	10	12
119012	12	14
119014	14	16
119016	16	18
119018	18	20

The Braeburn Advantage The Best Value in Zoning Today™

- Suitable for light commercial and residential installation
- Designed for years of trouble free operation
- Fully compatible with other Braeburn zoning system components

Braeburn Thermostats and Accessories

From our Premier Series to our economical Builder Series, Braeburn has the products you need to lower energy costs and increase comfort in any home or business environment.

Call Us Toll-Free 866.268.5599 (U.S.)
+1.630.844.1968 (Outside the U.S.)
www.braeburnonline.com